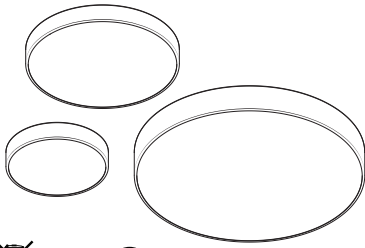


**Full Moon 400 / 600 / 900**  
Surface Mounted

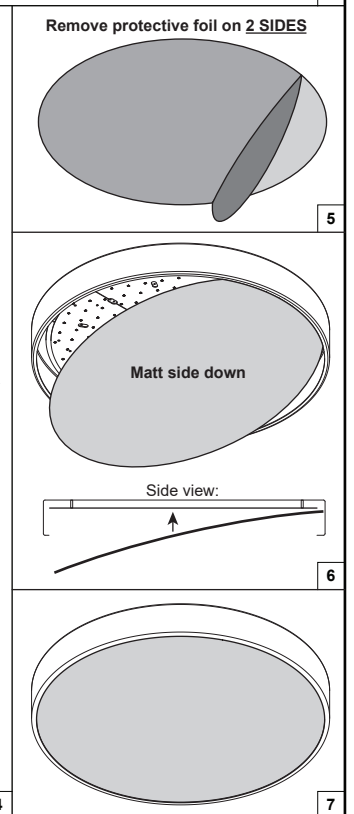
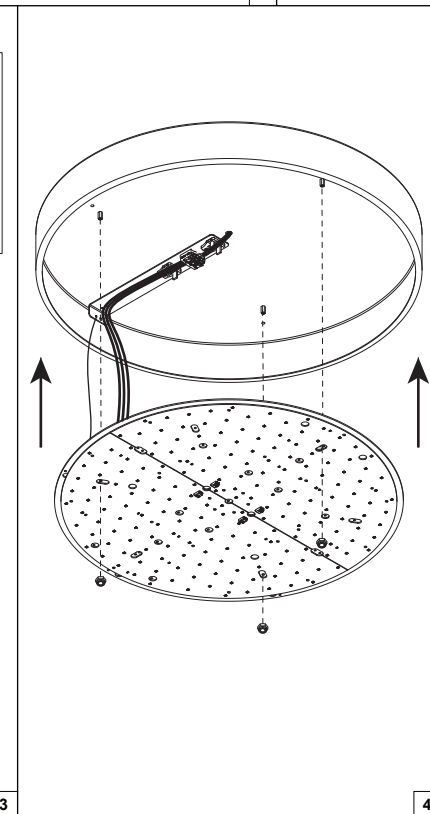
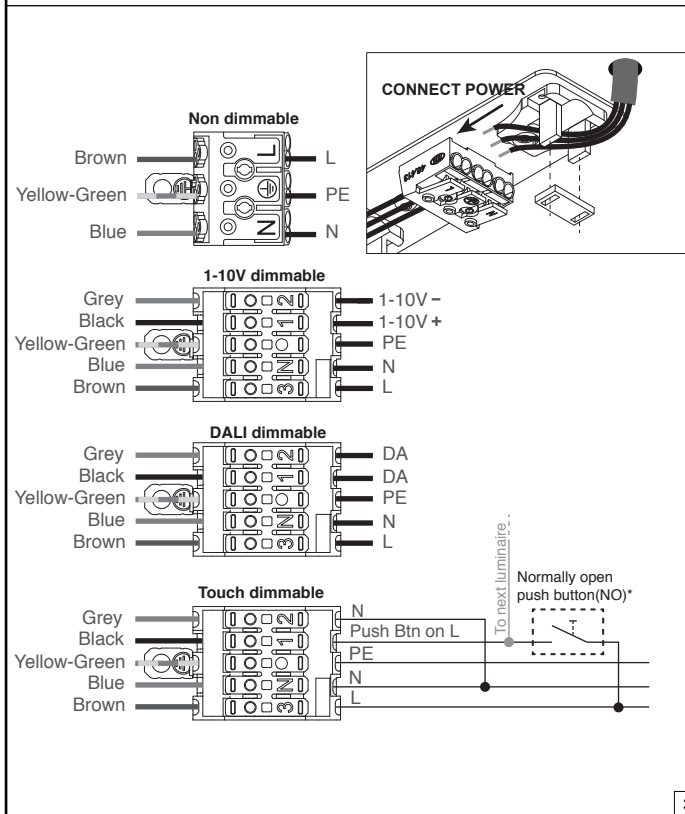
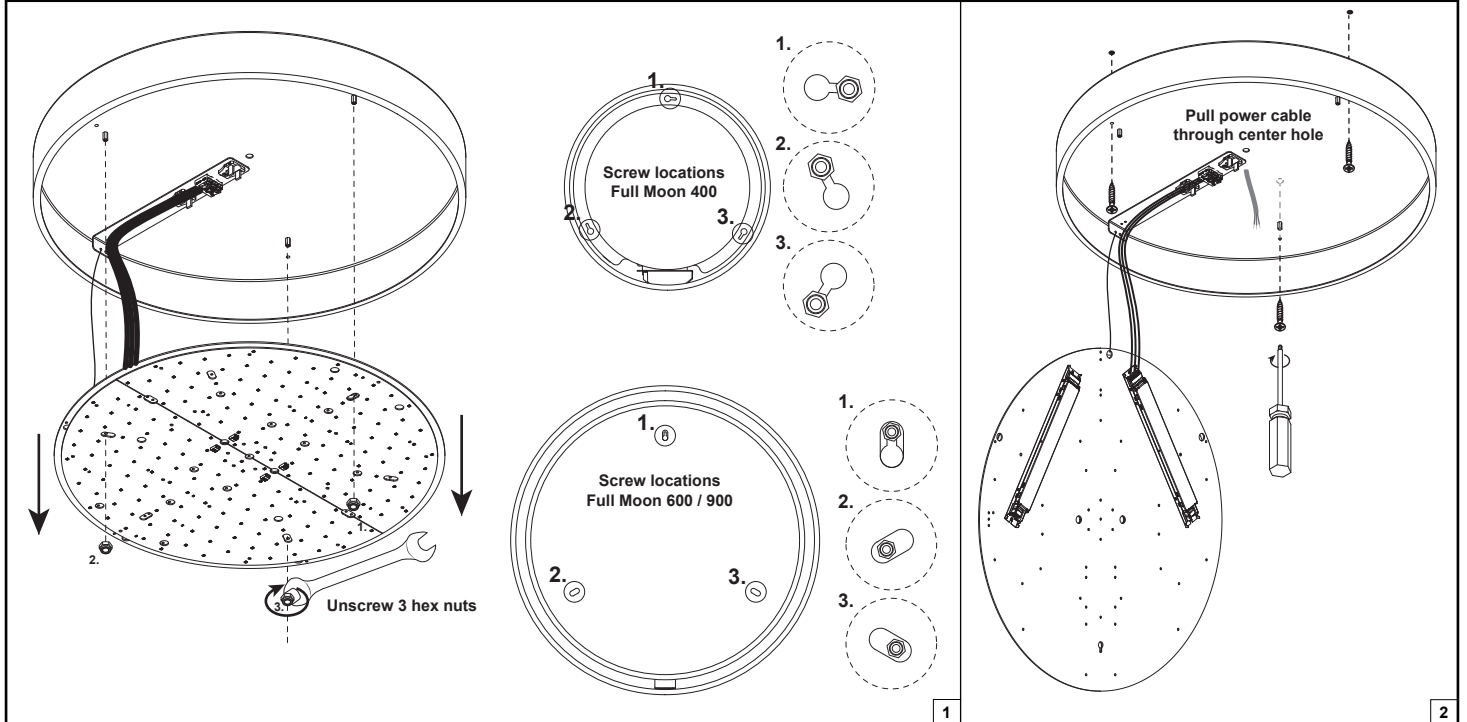


**Instructions:**

1. Remove interior from luminaire by unscrewing 3 hex nuts. **DO NOT TOUCH LEDS.**
2. Pull power cable through the center of the base plate  
Fix housing to ceiling using screws, use 3 holes located on the bottom of the housing.  
Make sure to use the correct screws, plugs, etc. required for the specific ceiling type.
3. Connect power to terminal block located inside the housing. Use strain relief to secure wiring.
4. Reattach interior to housing using the same screws described in step 1.
5. Remove protective foil **ON BOTH SIDES** of the diffuser plate.
6. Insert diffuser into housing. Bend diffuser slightly and place inside housing.



Doxis Lighting Factory cannot be held responsible for damage caused by incorrect installation.



**⚠ Attention!!**

Always follow the instructions described in this document and store this document for future reference.

Do not touch LED surface. Warranty void if LED contact has taken place.  
Only to be installed by a qualified electrician.

Always make sure power is completely switched off when working on luminaire.

**Doxis Lighting Factory NV cannot be held responsible for any damage caused by incorrect installation, modification, reparation or incorrect application/usage of the product.**